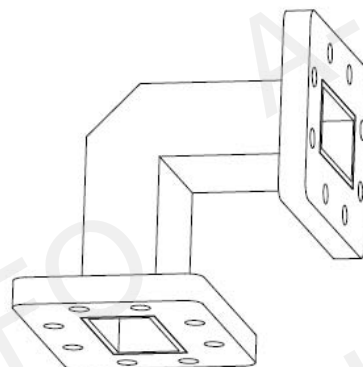
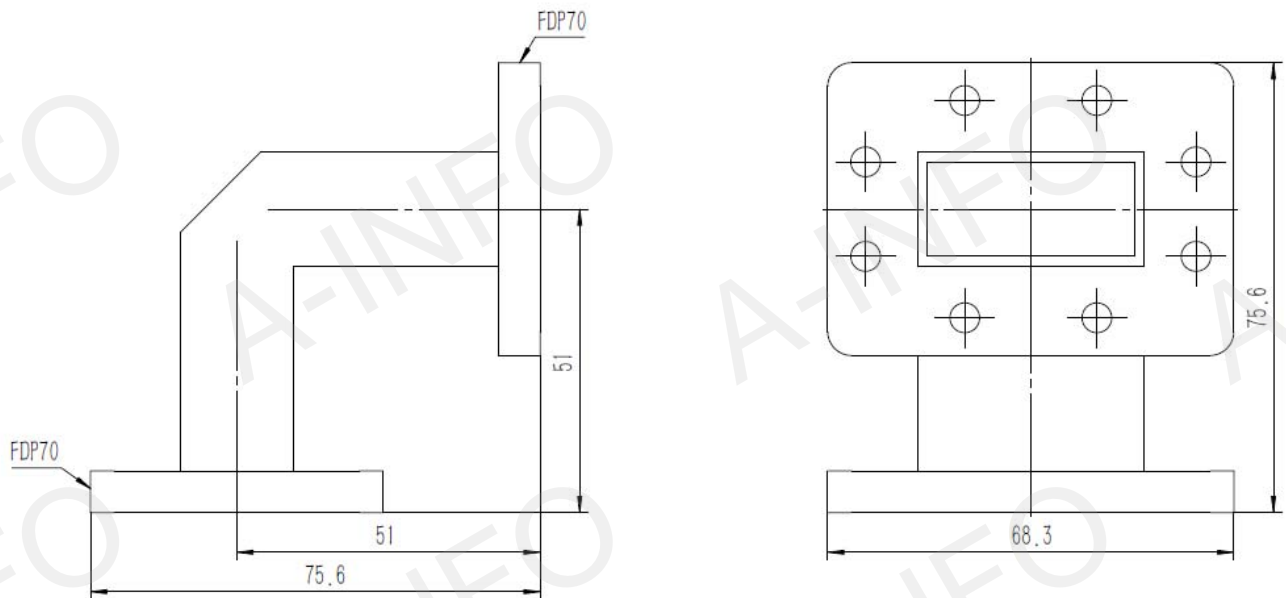


Technical Specification

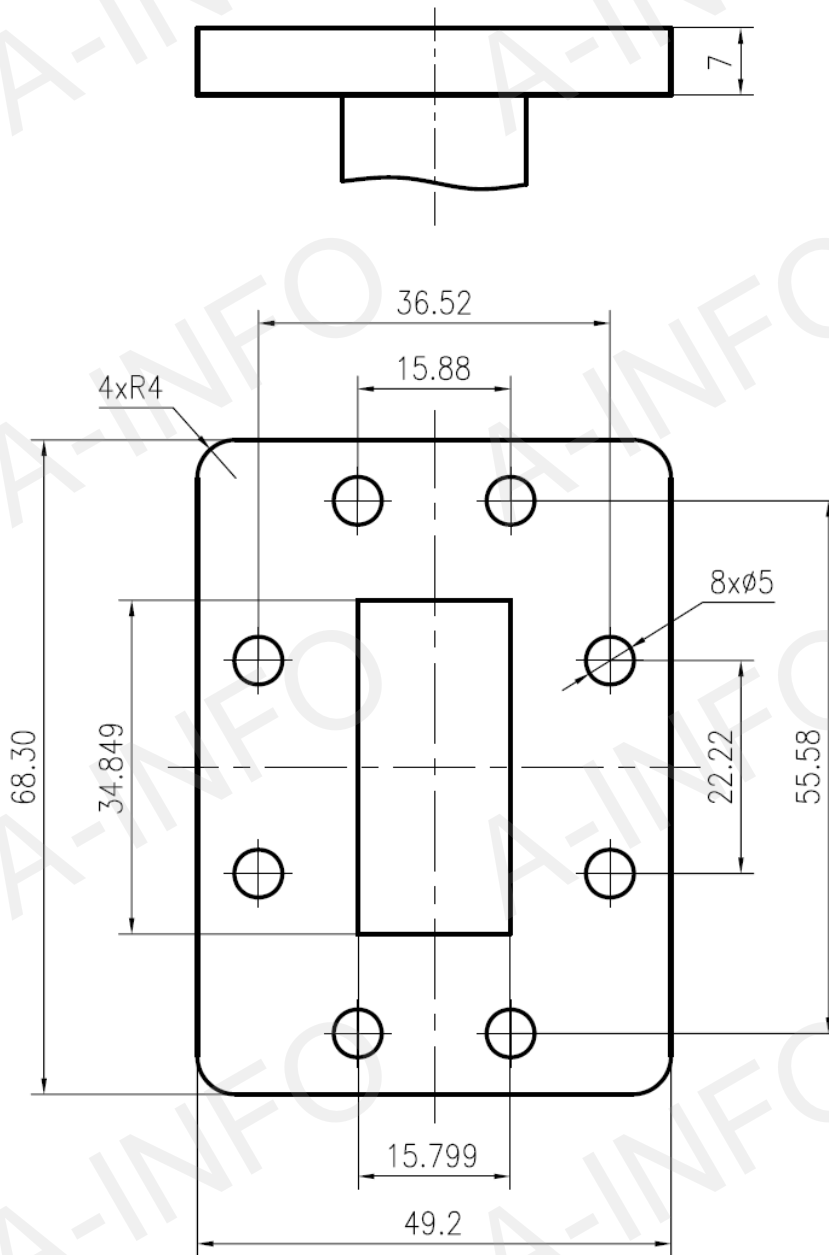


EIA WR	WR137
Frequency Range(GHz)	5.85 - 8.20
VSWR	1.15 max
Flange	FDP70
Material	Al
Size(mm)	75.6x75.6x68.3
Net Weight(Kg)	0.15 Around

Outline Drawing (Size: mm)



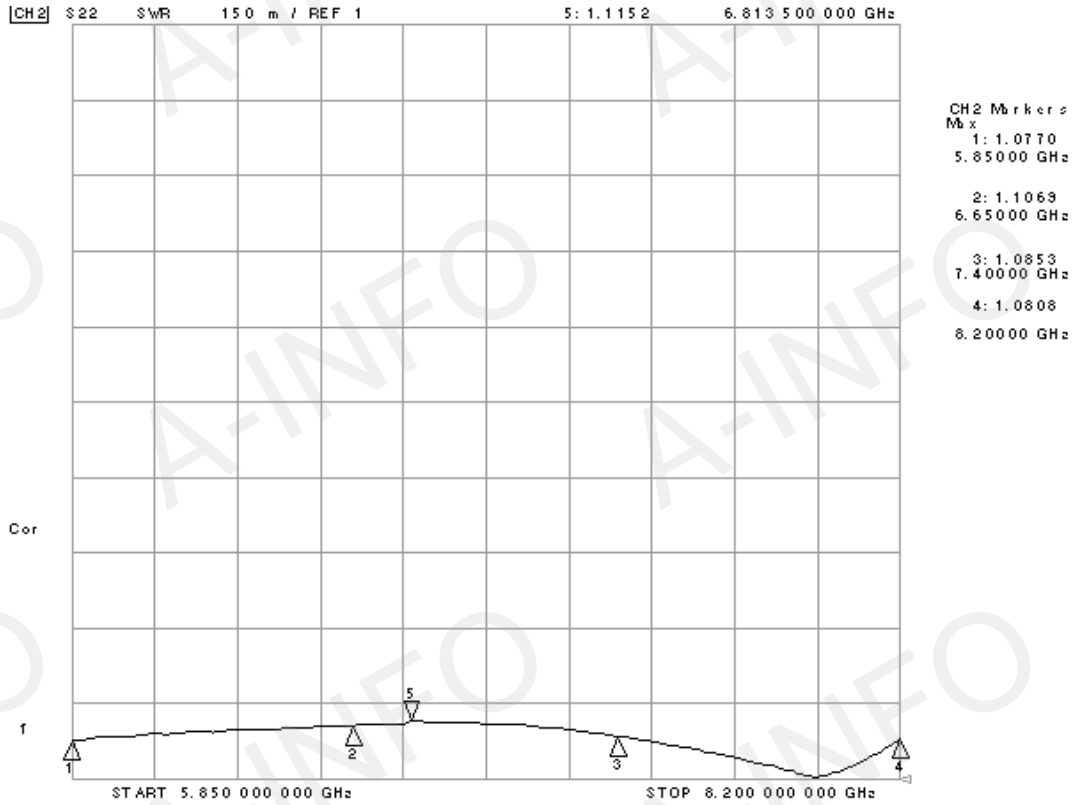
Flange Drawing (Size: mm)



FDP70

Test Results

VSWR



Insertion Loss

